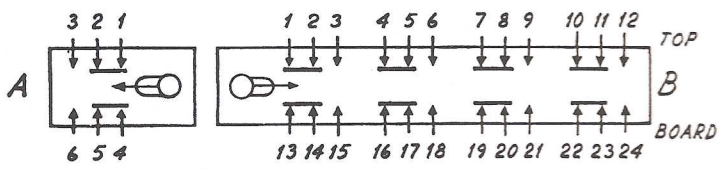
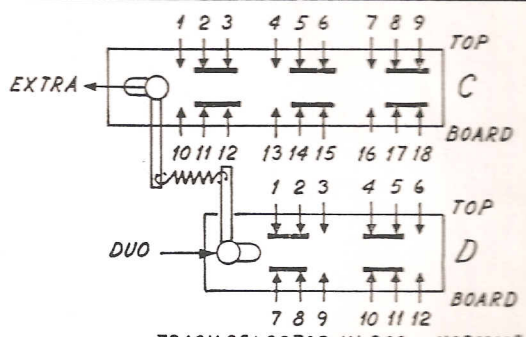


RESISTANCE IN MOTSTAND I	ERASE HEADS SLUKKEHODER	CA. 85 OHM
	REC./PLAYB. HEADS SPILLEHODER	CA. 300 "
	L1	1/4 "
	L2	6 "



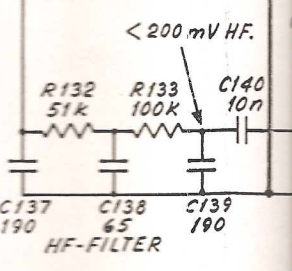
AMP ← → RECORD
PLAYB

MODE SWITCH IN POS. "PLAYB."
FUNKSJONSVENDER I STILLING "PLAYB."

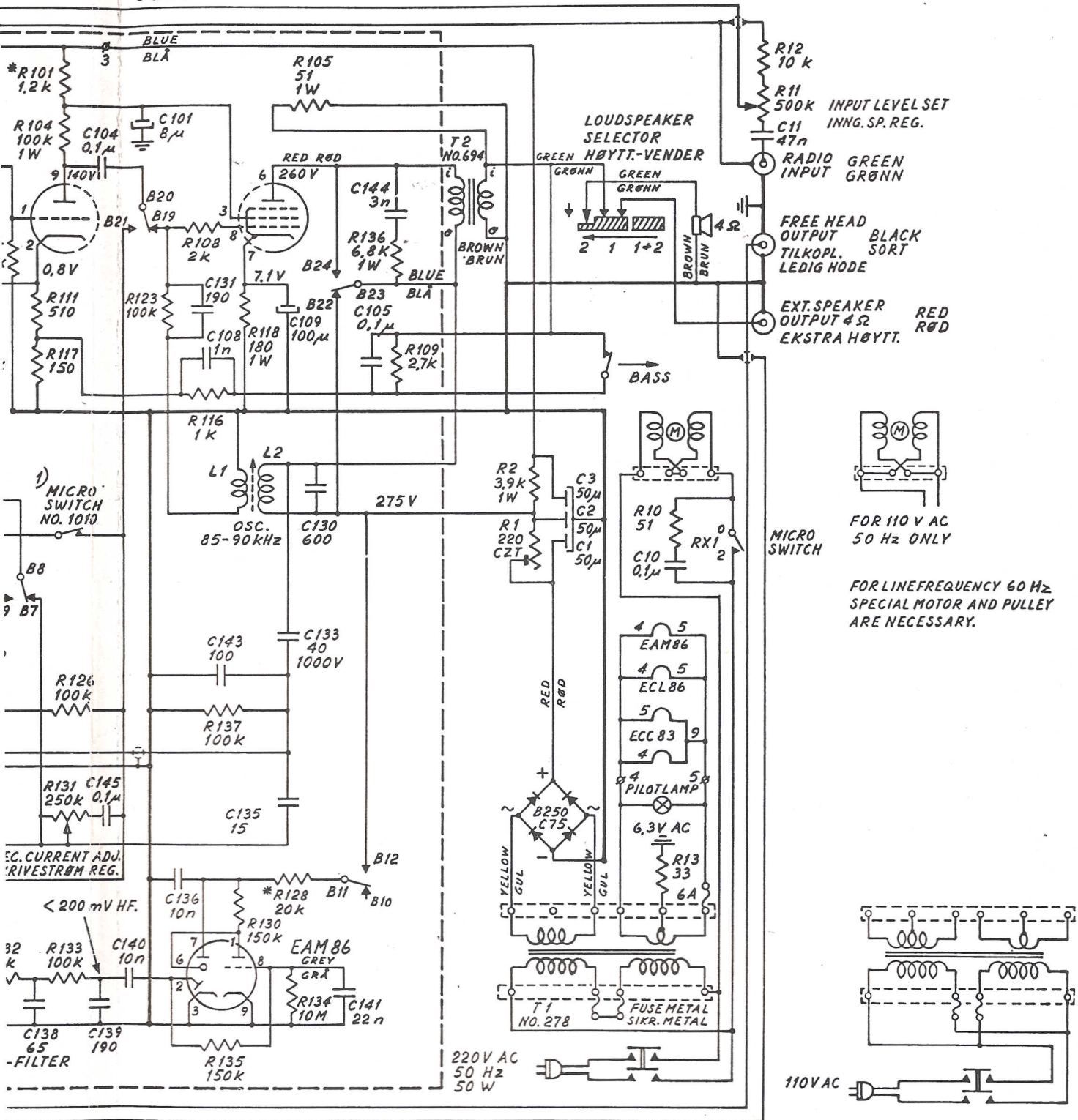


TRACK SELECTOR IN POS. "NORMAL"
SPORVENDER I STILLING "NORMAL"

D) TO PREVENT DC PULSES FROM THE REC./PLAYB. HEADS, SHORTCIRCUIT CONTACTS ARE MADE. MOVES FROM "REC." TO "PLAYB." FOR Å HINDRE AT LÅSE SERER GJENNOM SPORVENDEREN KORTSLUTNINGER PÅ KONTAKTANNELSER. DER B BEVEGER S "PLAYBACK".

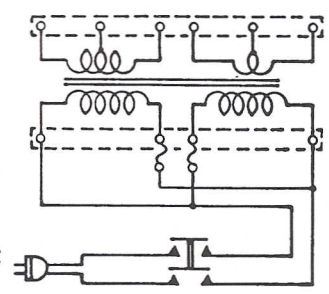


ECL 86
6GW 8



FOR 110 V AC
50 Hz ONLY

FOR LINEFREQUENCY 60 Hz
SPECIAL MOTOR AND PULLEY
ARE NECESSARY.



110V AC

1) TO PREVENT DC PULSES TO PASS THROUGH THE REC./PLAYB. HEAD, THIS MICRO SWITCH MUST SHORTCIRCUIT BEFORE ANY OTHER CONTACTS ARE MADE WHEN THE B SWITCH MOVES FROM „RECORD“ TO „PLAYBACK“.

FOR Å HINDRE AT LIKESTRØMPULSER PASSESERER GJENNOM SPILLEHODET, SKAL MICRO-BRYTEREN KORTSLUTTE FØR NOEN ANNEN KONTAKTDANNELSE INNTREFFER NÅR VENDER B BEVEGER SEG FRA „RECORD“ MOT „PLAYBACK“.

RESISTORS:
INDICATED IN OHMS.
K = 1.000 OHMS.
M = 1.000.000 OHMS.
* = DEPOSITED CARBON RESISTORS.
RESISTORS ± 10% UNLESS OTHERWISE SPECIFIED.

CAPACITORS:
INDICATED IN MICRO MICRO FARADS (μμF)
UNLESS OTHERWISE SPECIFIED.
n = 1000 μμF.
CAPACITORS ± 20%.

TANBERG TAPE RECORDER
MODEL 841, 842 AND 843

DRAWING NO. 5900 - 4
JAN. 1965